

Multiple Function Stir Fryer (SF Series)



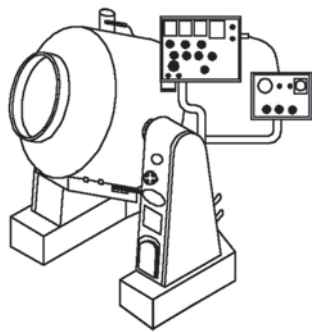
ANKO

ISO 9001
APPROVED

萬能調味炒食機



Multiple Function Stir Fryer (SF Series) 萬能調味炒食機



Specification

| | | SF-120 | | SF-60 | | SF-6 | |
|-------------------------|----------|----------------------------------|--|----------------------------------|--|------------------------------|--|
| Dimensions | 展開尺寸 | 2,000(L)x1,850(W) x1,780(H)mm | | 1,250(L)x1,400(W) x1,600(H)mm | | 1000(L)x850(W)x 1450(H)mm | |
| Power | 電力 | 0.75kW | | 0.75kW | | 0.2kW | |
| Barrel dimensions | 炒鍋內桶尺寸 | | | 760x880mm | | 502x570mm | |
| Barrel capacity | 容量 | 120L | | 60L | | 20L | |
| Max. operation capacity | 產能 | 60kgs | | 30kgs | | 10kgs | |
| Nozzle | 火嘴數量 | 70pcs | | 58pcs | | 20pcs | |
| consumption | 瓦斯消耗量 | LPG | Natural gas | LPG | Natural gas | LPG | Natural gas |
| | | 336000 BTU/H | 7.91 m ³ /HR =74.74 KW 2.40 m ³ /HR =22.68 KW | 278400 BTU/H | Max.:6.57 m ³ / HR=62.08 kW Min.:1.99 m ³ / HR=18.80 kW | 96000 BTU/H | 1.85m ³ / HR =17.48 kW Min.:0.57m ³ / HR =5.39 kW |
| Weight (Net) | 機器重量(淨重) | 850Kgs | | 425pcs | | 170Kgs | |
| Weight (Gross) | 機器重量(毛重) | 1100Kgs | | 660pcs | | 275Kgs | |

• Specifications are subject to change without notice.

特點

- 1、電子控制無段變速：可任意速度調節，正逆方向自由變換。
- 2、電子自動點火控溫：熱度可任意調節，使用安全。
- 3、獨特炒桶設計：麵條等較軟的食品，攪拌時不會過於軟爛。
- 4、外殼使用特級保溫棉：防止高溫外流，節省33%煤氣。
- 5、本機台座由不鏽鋼製成，不僅衛生又耐用。
- 6、人性化設計：物料進卸口高度，可依實際需要調整斜度，並可以自行設定操作時間，使用方便。

Features

1. Electronic control, stepless speed adjustment, rotates both clockwise and counter-clockwise directions.
2. Automatic electronic ignition. Temperature is adjustable.
3. Special internal cooking barrel, food like noodle or spaghetti will not be too soft.
4. The cooking barrel has a high grade heat isolation casing which could keep heat inside to save 33% of gas.
5. Made of stainless steel, hygienic and durable.
6. Easy loading and discharging. With timer, easy to operate.

一機多用途

肉酥/脯、魚酥/脯、雞肉酥、肉絲、肉乾、肉角、肉臊、臘肉、香腸、火腿、魷魚絲、香魚片、肉排、魚排、魚排、蜜餞、餅乾、糖果、咖啡、花生、洛神花、菊花、瓜子、結晶體顆粒、粉類、豆類、包糖衣、中藥、植物、茶葉、芝麻、豆乾、蔬菜、漬品、炒菜、炒麵、攪拌油飯、肉品混合調味按摩與乾燥烘焙等功能。

Multiple Usage

Suitable for seasoning and/or baking rice, noodle, vermicelli, vegetable, sesame, bean, peanut, meat, diced and shredded meat, coffee bean, sugar, coating candy, biscuit, pistachio, herb, etc.



安口食品機械股份有限公司
ANKO FOOD MACHINE CO., LTD.

237 新北市三峽區中正路一段351號
No.351, Sec. 1, Zhongzheng Rd., Sanxia Dist.,
New Taipei City 237, Taiwan
TEL : 886-2-26733798 FAX : 886-2-26733697
E-mail : anko@anko.com.tw
Website : www.anko.com.tw

ANKO FOOD TECH INC.

300 South Walnut Ave, Suite 405,
San Dimas, California 91773, U.S.A
TEL : 1-909-599-8186
Email : anko@ankofoodtech.com
Website : www.ankofoodtech.com



SF-Series-1606